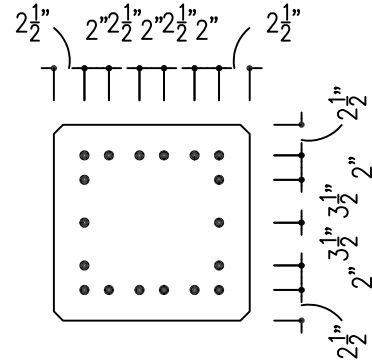
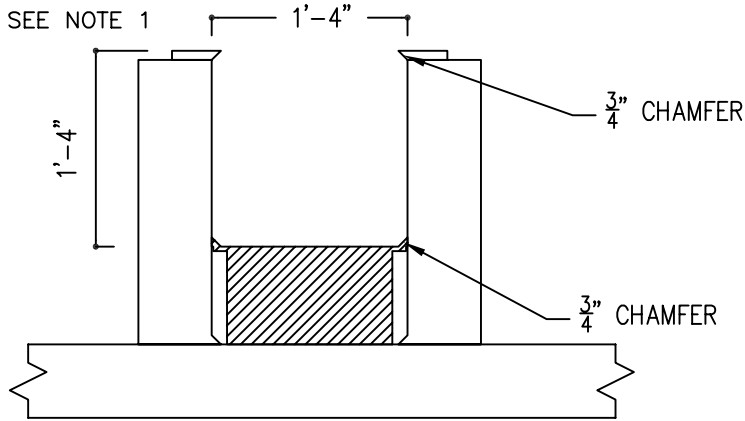
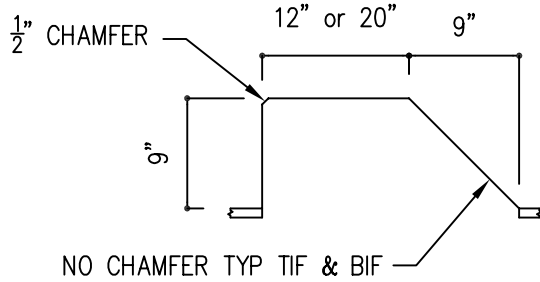


**DIMENSIONS FOR
DETAILING**

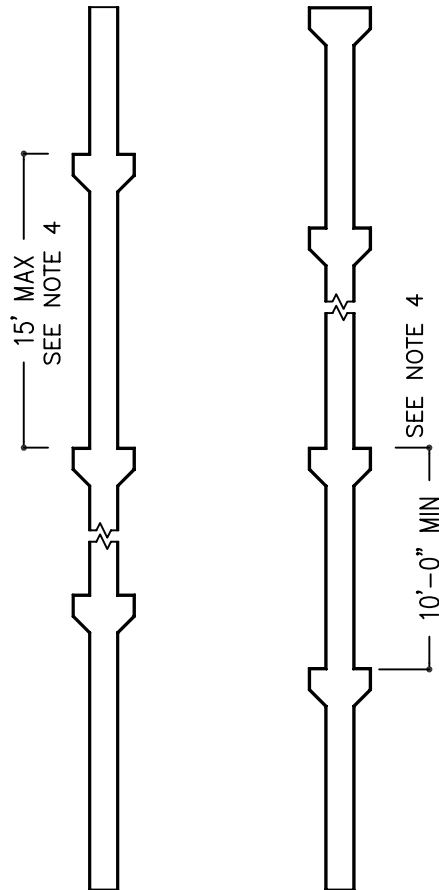


STRAND PATTERN SEE NOTE 2

TYPICAL CORBEL SEE NOTE 5



TYPICAL CORBEL LOCATIONS



SECTION PROPERTIES

Area	254 in ²
I	5461 in ⁴
YB	8 in
Sx	683 in ³
r	4.64 in
Vol./Surf.	4.0
Weight (stone)	265 plf
volume	.066 cy/lf

NOTES

6	W	1	6	1	8	2	0	2	4	3	0	3	6
16	AN												
18		Y											
20			Y										
24	Y	Y	Y	Y	Y	Y	Y	Y	Y	Y	Y	Y	Y
30	AN	AN	AN	AN	AN	AN	AN	AN	AN	AN	AN	AN	AN
36	AN	AN	AN	AN	AN	AN	AN	AN	AN	AN	AN	AN	AN

- Movable sideforms
Advance Notice (AN)
req'd for sideform
add-ons (4-6 wks)
- Other strand locations available
- Wooden blkt's @ >10' corbel spacing
- Adjust for 20" corbel height &/or
bulkheads
- (20) corbel fillers available (12" Ht.)

ISSUED 01-06

16COL16

55

REVISED