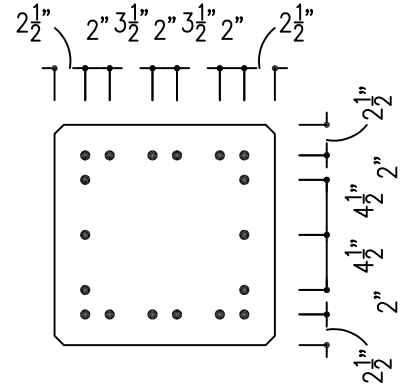
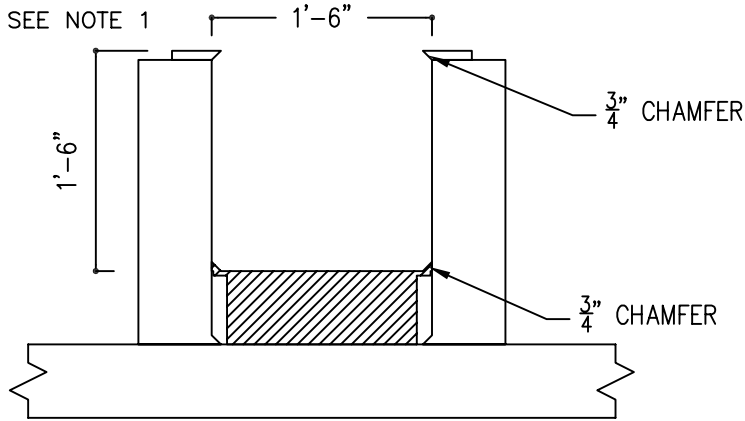
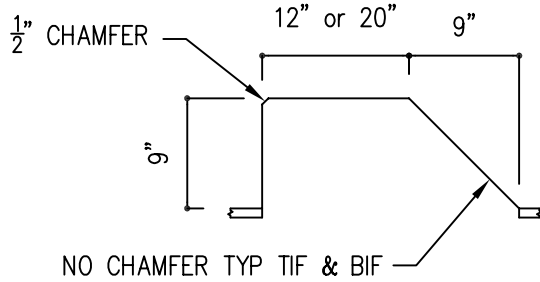


**DIMENSIONS FOR  
DETAILING**

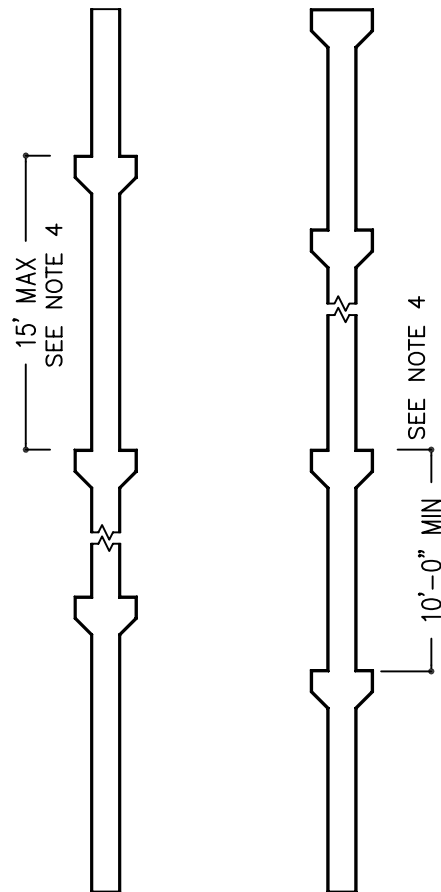


**STRAND PATTERN** SEE NOTE 2

**TYPICAL CORBEL** SEE NOTE 5



**TYPICAL CORBEL LOCATIONS**



**SECTION PROPERTIES**

Area	324 in <sup>2</sup>
I	8748 in <sup>4</sup>
YB	9 in
Sx	972 in <sup>3</sup>
r	5.2 in
Vol./Surf.	4.5
Weight (stone)	338 plf
volume	0.08 cy/lf

**NOTES**

6	W	1	6	1	8	2	0	2	4	3	0	3	6
16	AN												
18		Y											
20			Y										
24	Y	Y	Y	Y	Y	Y	Y	Y	Y	Y	Y	Y	Y
30	AN	AN	AN	AN	AN	AN	AN	AN	AN	AN	AN	AN	AN
36	AN	AN	AN	AN	AN	AN	AN	AN	AN	AN	AN	AN	AN

- Movable sideforms  
Advance Notice (AN)  
req'd for sideform  
add-ons (4-6 wks)
- Other strand locations available
- Wooden blkt's @ >10' corbel spacing
- Adjust for 20" corbel height &/or  
bulkheads
- (20) corbel fillers available (12" Ht.)

ISSUED 01-06

18COL18

**55**

REVISED