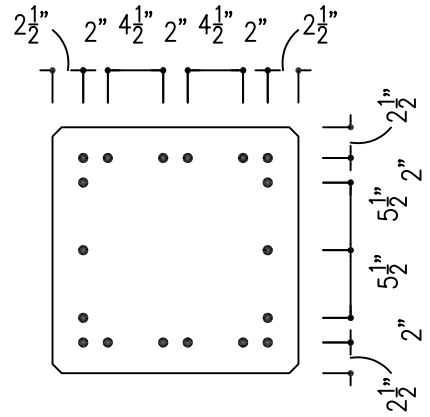
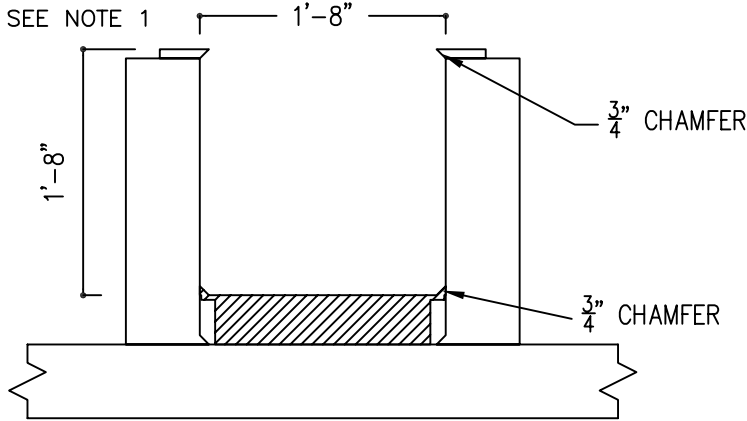
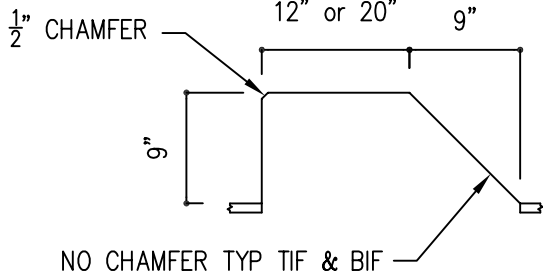


**DIMENSIONS FOR
DETAILING**

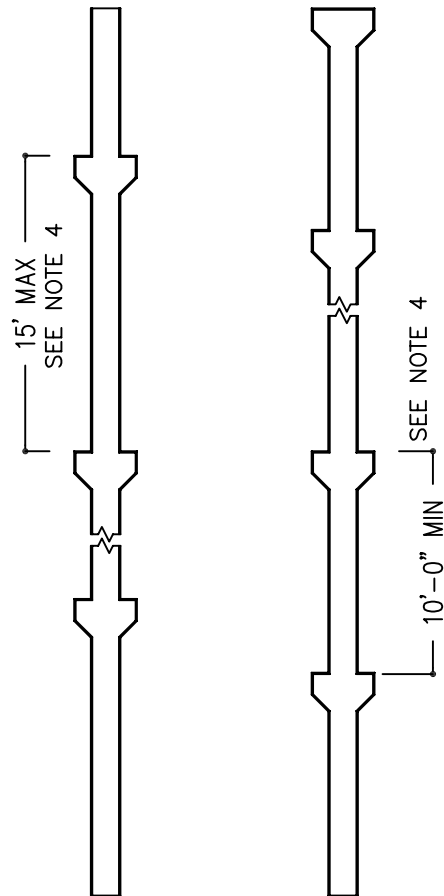


STRAND PATTERN SEE NOTE 2

TYPICAL CORBEL SEE NOTE 5



TYPICAL CORBEL LOCATIONS



SECTION PROPERTIES

| | |
|----------------|-----------------------|
| Area | 400 in ² |
| I | 13333 in ⁴ |
| YB | 10 in ³ |
| Sx | 13333 in ³ |
| r | 5.77 in |
| Vol./Surf. | 5.0 |
| Weight (stone) | 417 plf |
| volume | 0.10 cy/lf |

NOTES

- Movable sideforms Advance Notice (AN) req'd for sideform add-ons (4-6 wks)
- Other strand locations available
- Wooden bkt's @ >10' corbel spacing
- Adjust for 20" corbel height &/or bulkheads
- (20) corbel fillers available (12" Ht.)

| | | | | | | | |
|----|----|----|----|----|----|----|----|
| 16 | AN | | | | | | |
| 18 | | Y | | | | | |
| 20 | | | Y | | | | |
| 24 | Y | Y | Y | Y | Y | Y | Y |
| 30 | AN | AN | AN | AN | AN | AN | AN |
| 36 | AN | AN | AN | AN | AN | AN | AN |

ISSUED 01-06

20COL20

55

REVISED

Page of