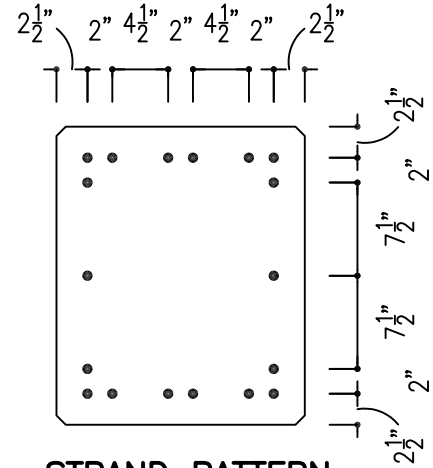
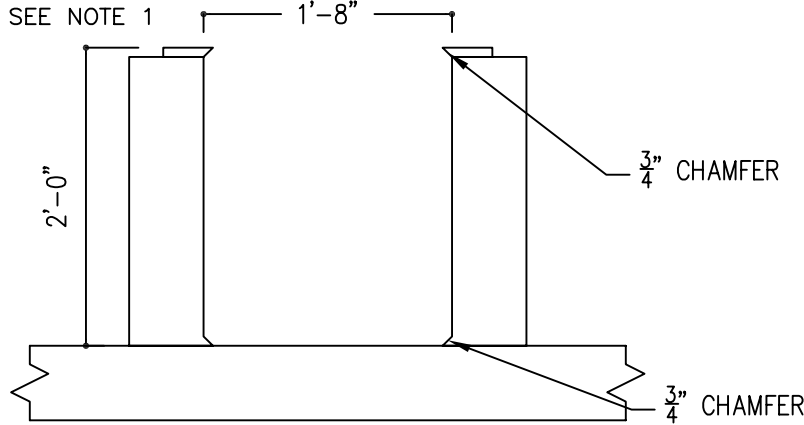


**DIMENSIONS FOR
DETAILING**

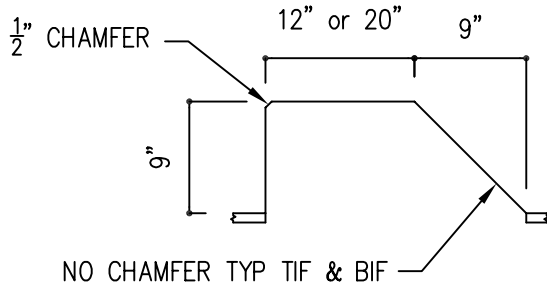


STRAND PATTERN

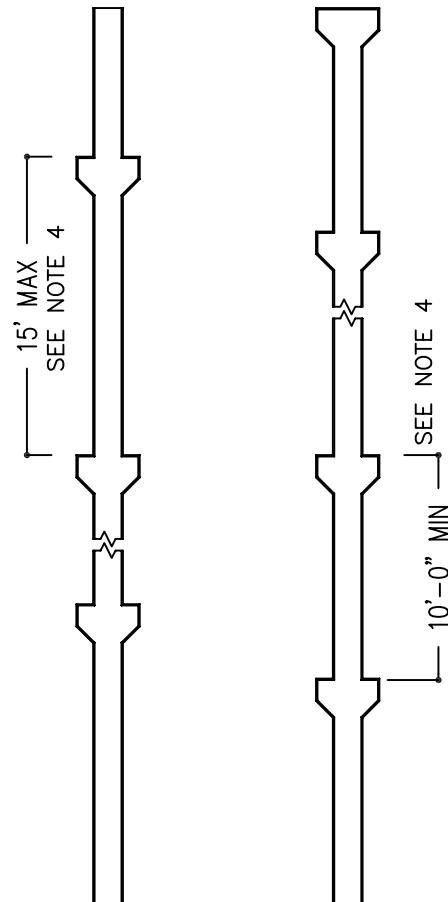
SEE NOTE 2



TYPICAL CORBEL SEE NOTE 5



TYPICAL CORBEL LOCATIONS



SECTION PROPERTIES

Area	480	in ²
I _x	23040	in ⁴
I _y	16000	in ⁴
Y _x	10	in
Y _y	12	in
S _x	1920	in ³
S _y	1600	in ³
r _x	6.93	in
r _y	5.77	in
Vol./Surf.	5.5	
Weight (stone)	500	plf
volume	0.12	cy/lf

NOTES

- Movable sideforms Advance Notice (AN) req'd for sideform add-ons (4-6 wks)
- Other strand locations available
- Wooden blkt's @ >10' corbel spacing
- Adjust for 20" corbel height &/or bulkheads
- (20) corbel fillers available (12" Ht.)

16	AN						
18		Y					
20			Y				
24	Y	Y	Y	Y	Y	Y	Y
30	AN	AN	AN	AN	AN	AN	AN
36	AN	AN	AN	AN	AN	AN	AN

ISSUED 01-06

20COL24

55

REVISED