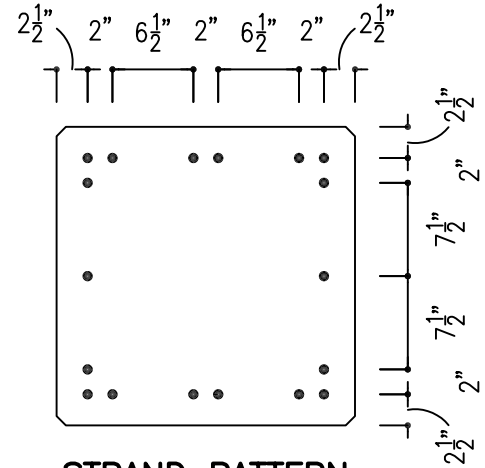
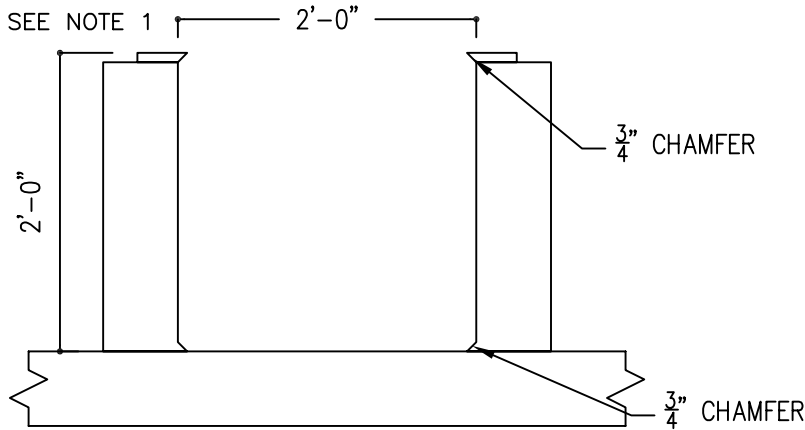


**DIMENSIONS FOR
DETAILING**

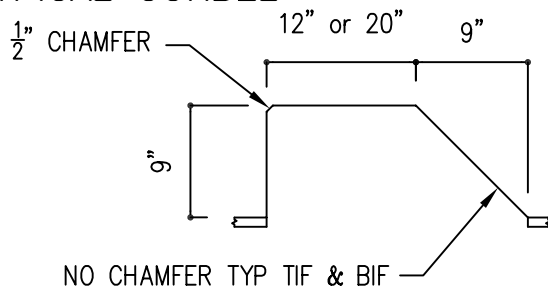


STRAND PATTERN

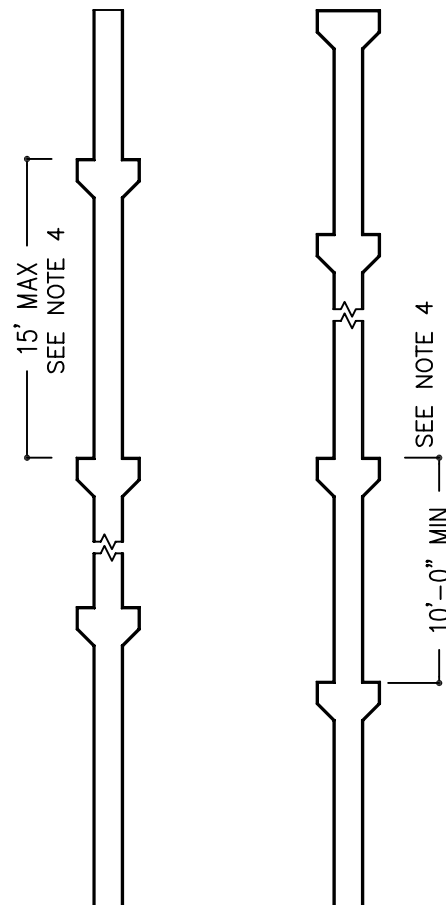
SEE NOTE 2



TYPICAL CORBEL SEE NOTE 5



TYPICAL CORBEL LOCATIONS



SECTION PROPERTIES

Area	576 in ²
I	27648 in ⁴
Y _B	12 in
S _x	2304 in ³
r	6.93 in
Vol./Surf.	6.0
Weight (stone)	600 plf
volume	0.15 cy/lf

NOTES

- Movable sideforms Advance Notice (AN) req'd for sideform add-ons (4-6 wks)
- Other strand locations available
- Wooden blkt's @ >10' corbel spacing
- Adjust for 20" corbel height &/or bulkheads
- (20) corbel fillers available (12" Ht.)

16	AN						
18		Y					
20			Y				
24	Y	Y	Y	Y	Y	Y	Y
30	AN	AN	AN	AN	AN	AN	AN
36	AN	AN	AN	AN	AN	AN	AN

ISSUED 01-06

24COL24

55

REVISED