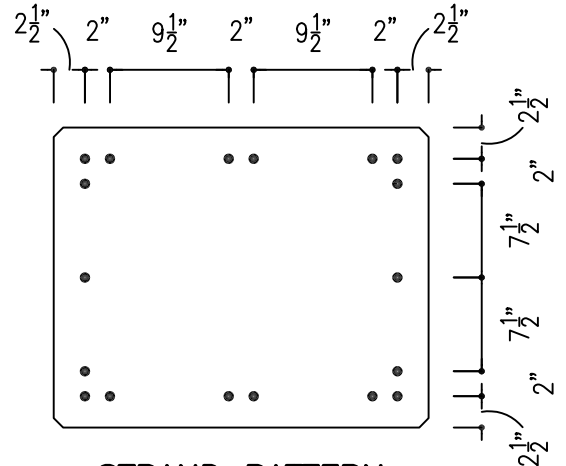
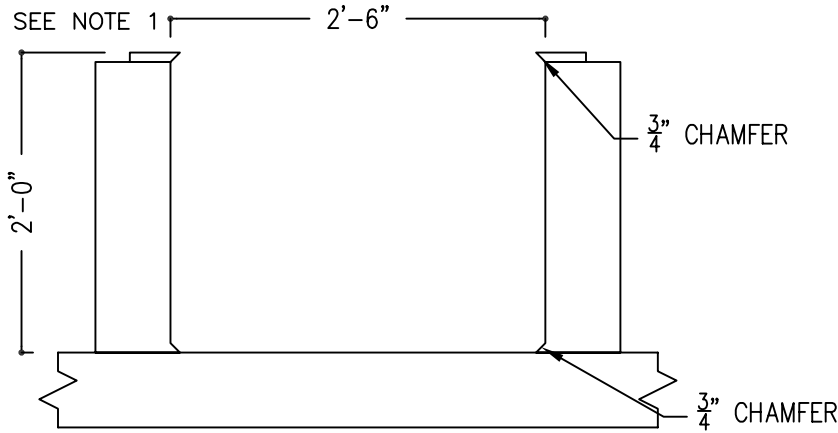


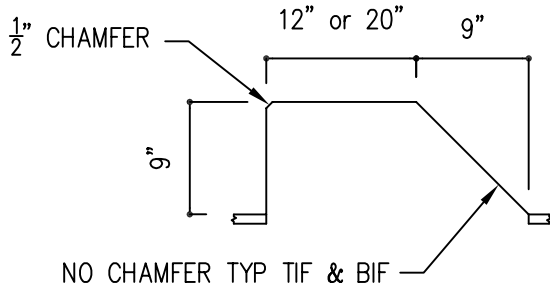
**DIMENSIONS FOR
DETAILING**



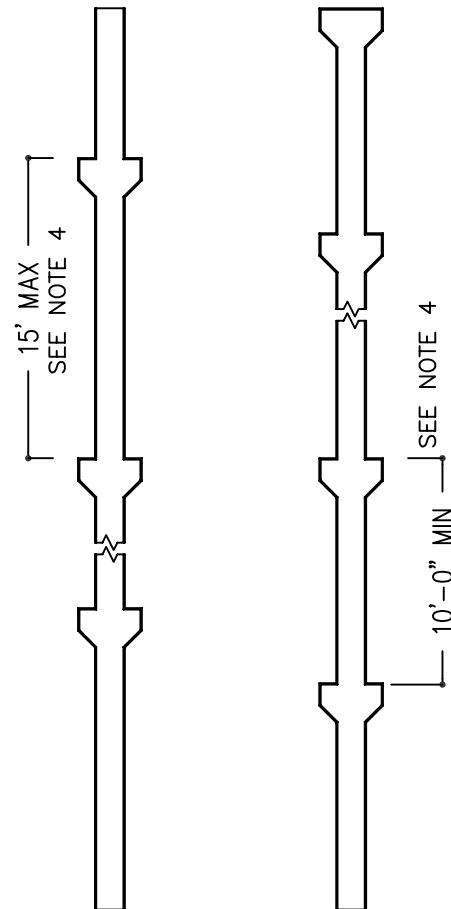
STRAND PATTERN

SEE NOTE 2

TYPICAL CORBEL SEE NOTE 5



TYPICAL CORBEL LOCATIONS



SECTION PROPERTIES

Area	720 in ²
I _x	34560 in ⁴
I _y	54000 in ⁴
Y _x	15 in
Y _y	12 in
S _x	2880 in ³
S _y	3600 in ³
r _x	6.93 in
r _y	8.66 in
Vol./Surf.	6.7
Weight (stone)	750 pcf
volume	0.19 cy/lf

NOTES

- Movable sideforms Advance Notice (AN) req'd for sideform add-ons (4-6 wks)
- Other strand locations available
- Wooden blkt's @ >10' corbel spacing
- Adjust for 20" corbel height &/or bulkheads
- (20) corbel fillers available (12" Ht.)

16	AN						
18		Y					
20			Y				
24	Y	Y	Y	Y	Y	Y	Y
30	AN	AN	AN	AN	AN	AN	AN
36	AN	AN	AN	AN	AN	AN	AN

ISSUED 01-06

30COL24

55

REVISED