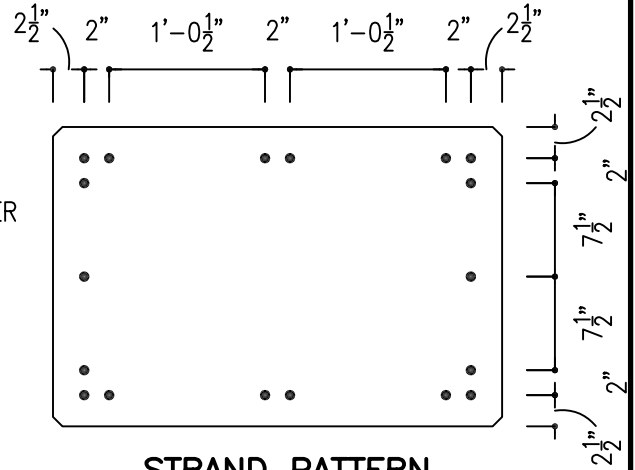
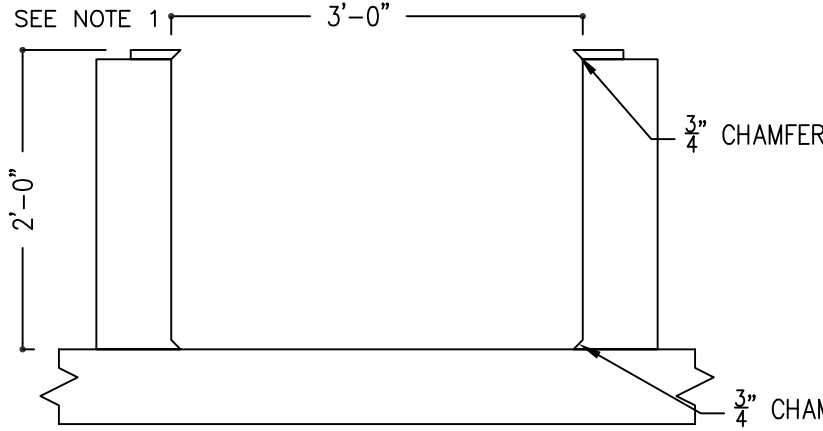


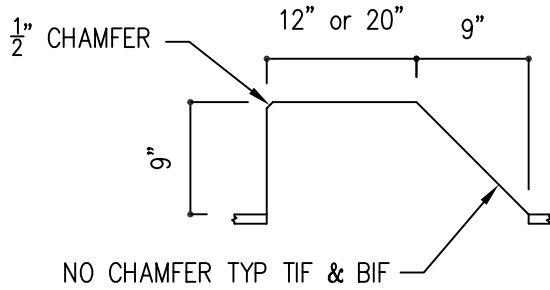
**DIMENSIONS FOR  
DETAILING**



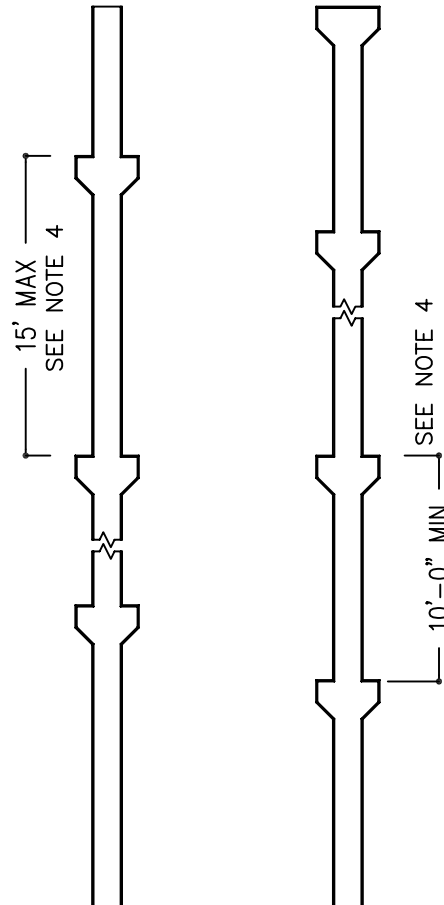
**STRAND PATTERN**

SEE NOTE 2

**TYPICAL CORBEL** SEE NOTE 5



**TYPICAL CORBEL LOCATIONS**



**SECTION PROPERTIES**

Area	864 in <sup>2</sup>
I <sub>x</sub>	41472 in <sup>4</sup>
I <sub>y</sub>	93312 in <sup>4</sup>
Y <sub>x</sub>	18 in
Y <sub>y</sub>	12 in
S <sub>x</sub>	3456 in <sup>3</sup>
S <sub>y</sub>	5184 in <sup>3</sup>
r <sub>x</sub>	6.93 in
r <sub>y</sub>	10.39 in
Vol./Surf.	7.2
Weight (stone)	900 pcf
volume	0.22 cy/lf

**NOTES**

- Movable sideforms Advance Notice (AN) req'd for sideform add-ons (4-6 wks)
- Other strand locations available
- Wooden blkt's @ >10' corbel spacing
- Adjust for 20" corbel height &/or bulkheads
- (20) corbel fillers available (12" Ht.)

16	AN								
18	Y								
20		Y							
24	Y	Y	Y	Y	Y	Y	Y	Y	Y
30	AN	AN	AN	AN	AN	AN	AN	AN	AN
36	AN	AN	AN	AN	AN	AN	AN	AN	AN

ISSUED 01-06

36COL24

**55**

REVISED