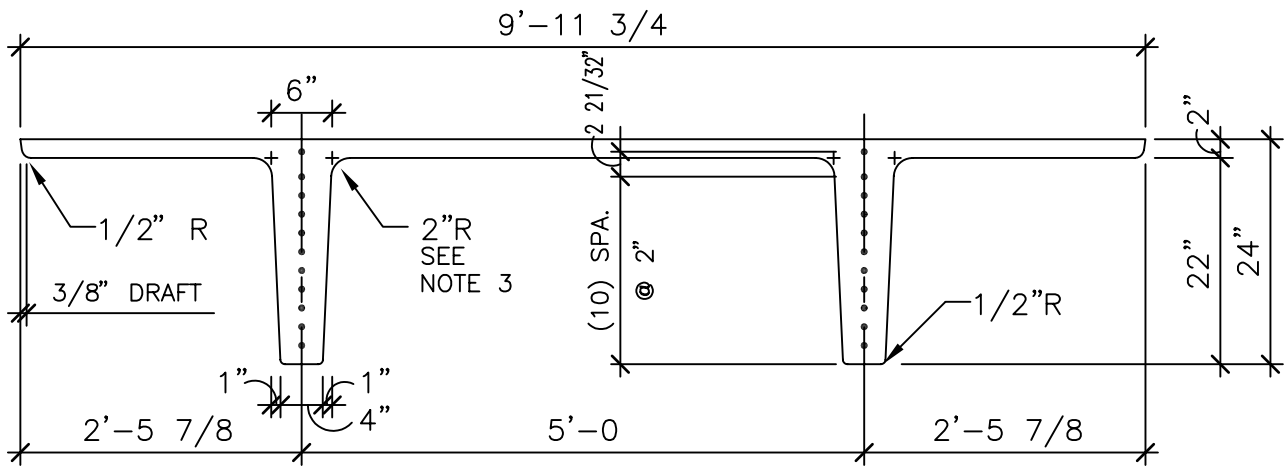


**DIMENSIONS FOR DETAILING**



**SECTION PROPERTIES**

Area	460 in <sup>2</sup>
I	23,405 in <sup>4</sup>
Y <sub>B</sub>	17.61 in
Y <sub>T</sub>	6.39 in
S <sub>B</sub>	1,329 in <sup>3</sup>
S <sub>T</sub>	3,664 in <sup>3</sup>
Vol./Surf.	1.40
Weight	psf      plf
SLW (115 pcf)	37      367
Stone (150 pcf)	48      479
Volume	0.118 cy/lf

**SPECIAL NOTES**

1. Electric bed.
2. No bottom depressing.
3. Deck Blockouts must be located and sized so the blockouts do not interfere with the stem radii.

ISSUED 01-06

REVISED

10DT24

**DT1**