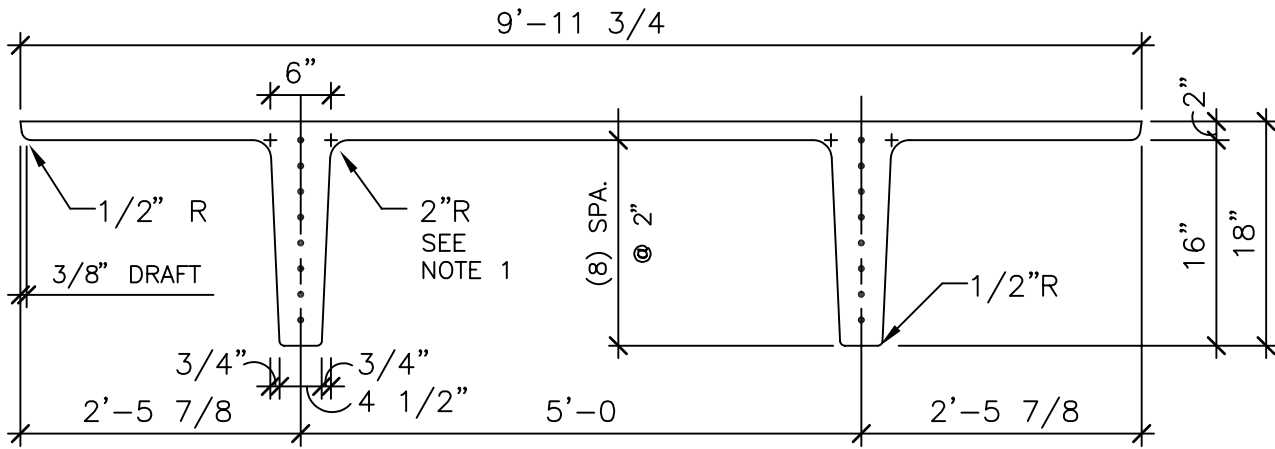


**DIMENSIONS FOR DETAILING**



**SECTION PROPERTIES**

Area	408	in <sup>2</sup>
I	10,981	in <sup>4</sup>
Y <sub>B</sub>	13.45	in
Y <sub>T</sub>	4.55	in
S <sub>B</sub>	816	in <sup>3</sup>
S <sub>T</sub>	2,414	in <sup>3</sup>
Vol./Surf.	1.34	
Weight		psf    plf
SLW (115 pcf)	33	326
Stone (150 pcf)	43	425
Volume	0.105	cy/lf

**SPECIAL NOTES**

1. Deck Blockouts must be located and sized so the blockouts do not interfere with the stem radii.

ISSUED 01-06

REVISED

10DT18

**DT5**

Page 1 of 1