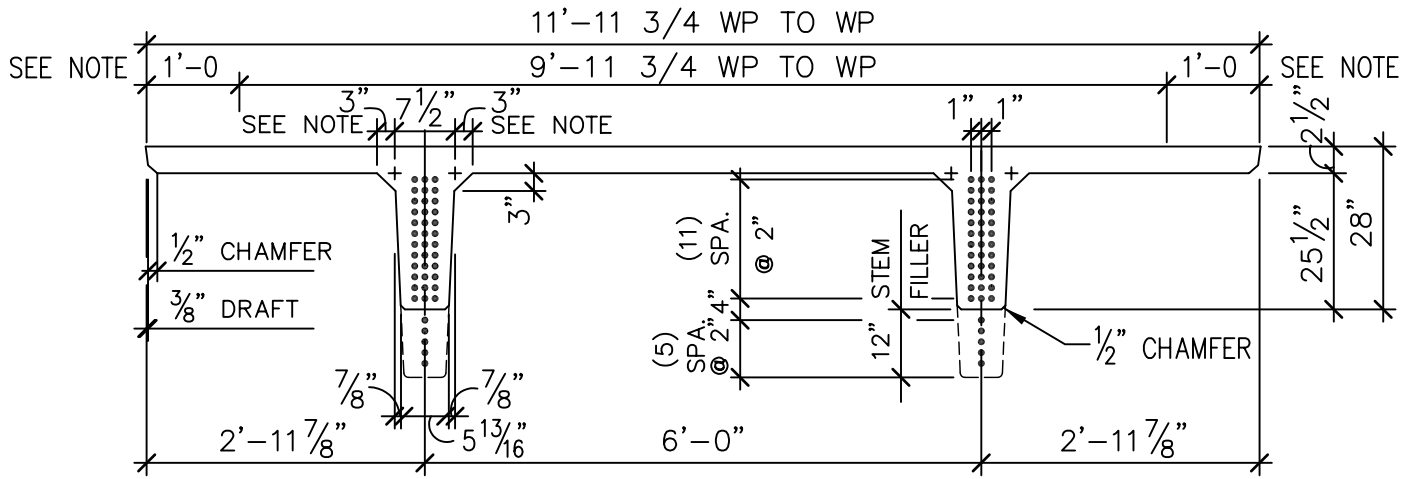


DIMENSIONS FOR DETAILING

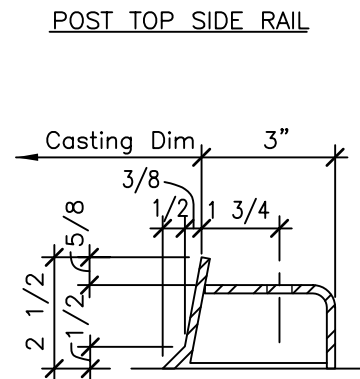
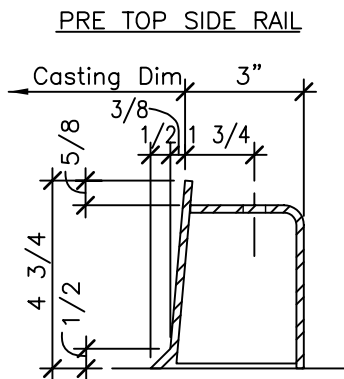


SECTION PROPERTIES

Area	656.5	in ²
I	47,657	in ⁴
Y _B	19.74	in
Y _T	8.26	in
S _B	2415	in ³
S _T	5767	in ³
Vol./Surf.	1.95	
Weight		psf plf
SLW (115 pcf)	53	524
Stone (150 pcf)	69	684
Volume	0.169	cy/lf

SPECIAL NOTES

1. Movable side rail.
2. Deck Blockouts must be located and sized so the blockouts do not interfere with the stem chamfers



ISSUED 01-06

REVISED

10DT28

DT8