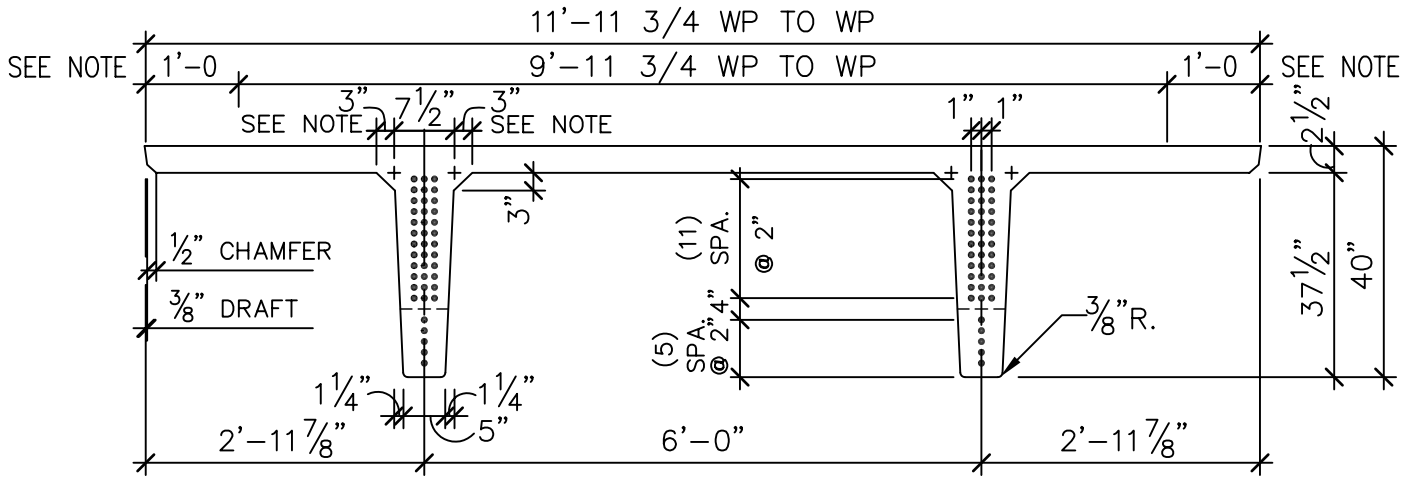


DIMENSIONS FOR DETAILING



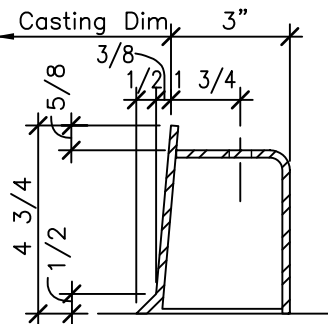
SECTION PROPERTIES

Area	786.1 in ²
I	120,079 in ⁴
YB.	17.52 in
YT.	12.48 in
SB.	4364 in ³
ST.	9620 in ³
Vol./Surf.	2.05
Weight	psf plf
SLW (115 pcf)	63 628
Stone (150 pcf)	82 819
Volume	0.202 cy/lf

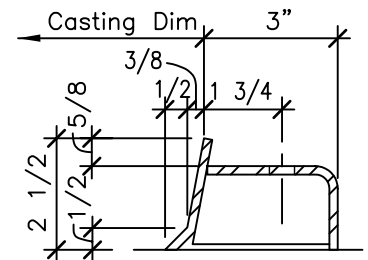
SPECIAL NOTES

1. Movable side rail.
2. Deck Blockouts must be located and sized so the blockouts do not interfere with the stem chamfers

PRE TOP SIDE RAIL



POST TOP SIDE RAIL



ISSUED 01-06

10DT40

DT8

REVISED