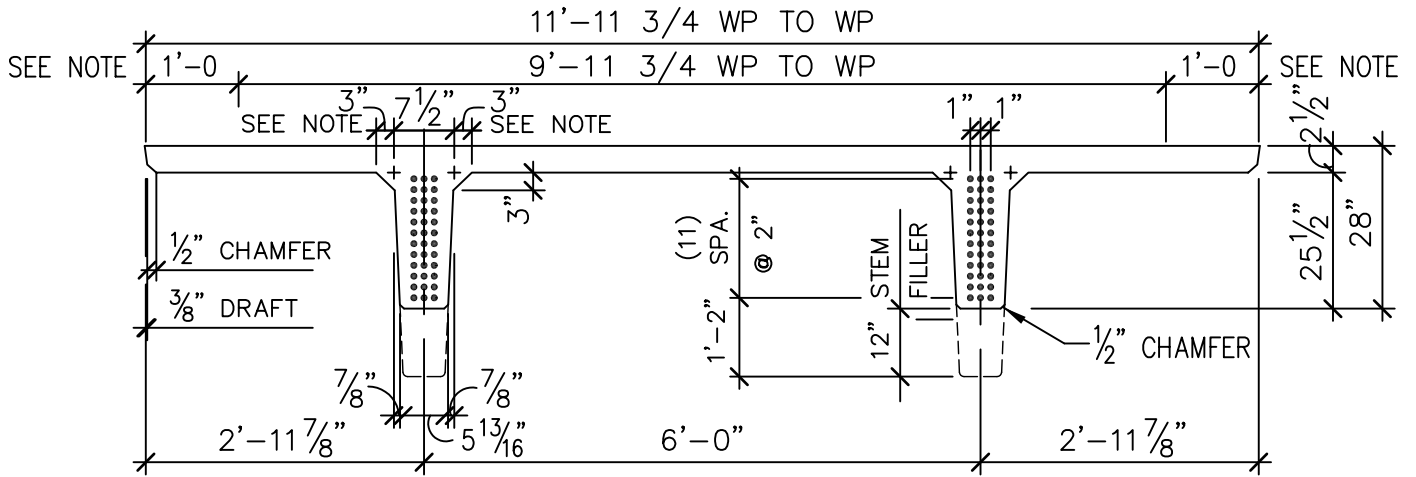


**DIMENSIONS FOR DETAILING**



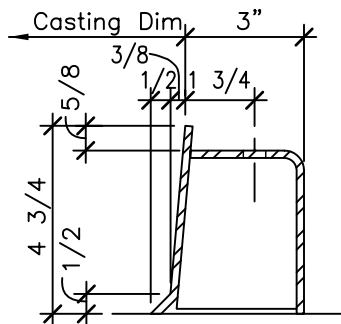
**SECTION PROPERTIES**

Area	716.5	in <sup>2</sup>
I	50,392	in <sup>4</sup>
YB	20.32	in
YT	7.68	in
SB	2479	in <sup>3</sup>
ST	6565	in <sup>3</sup>
Vol./Surf.	1.86	
Weight		psf    plf
SLW (115 pcf)	48	572
Stone (150 pcf)	62	746
Volume	0.184	cy/lf

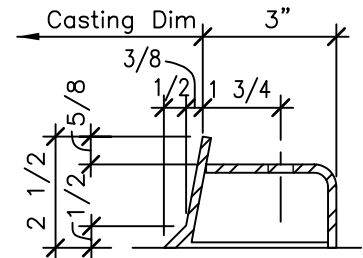
**SPECIAL NOTES**

1. Movable side rail.
2. Deck Blockouts must be located and sized so the blockouts do not interfere with the stem chamfers

PRE TOP SIDE RAIL



POST TOP SIDE RAIL



ISSUED 01-06

REVISED

12DT28

**DT8**