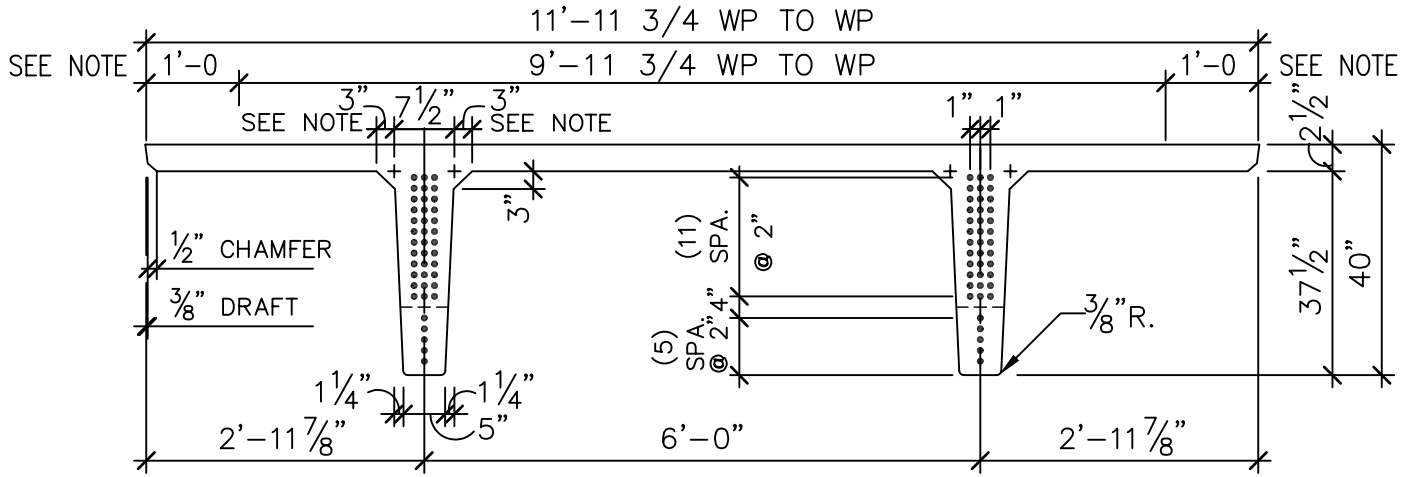


DIMENSIONS FOR DETAILING



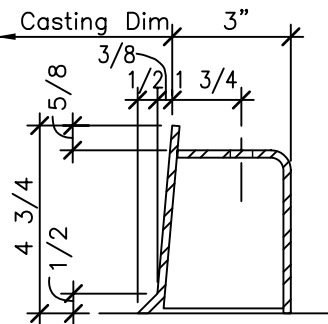
SECTION PROPERTIES

Area	846.1	in ²
I	127,124	in ⁴
YB	28.31	in
YT	11.69	in
SB	4490	in ³
ST	10,881	in ³
Vol./Surf.	1.99	
Weight		psf plf
SLW (115 pcf)	56	680
Stone (150 pcf)	73	887
Volume	0.218	cy/lf

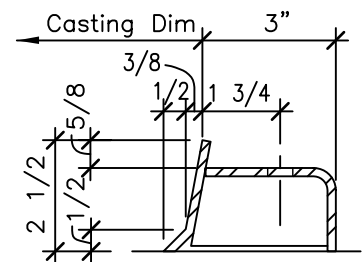
SPECIAL NOTES

1. Movable side rail.
2. Deck Blockouts must be located and sized so the blockouts do not interfere with the stem chamfers

PRE TOP SIDE RAIL



POST TOP SIDE RAIL



ISSUED 01-06

REVISED

12DT40

DT8