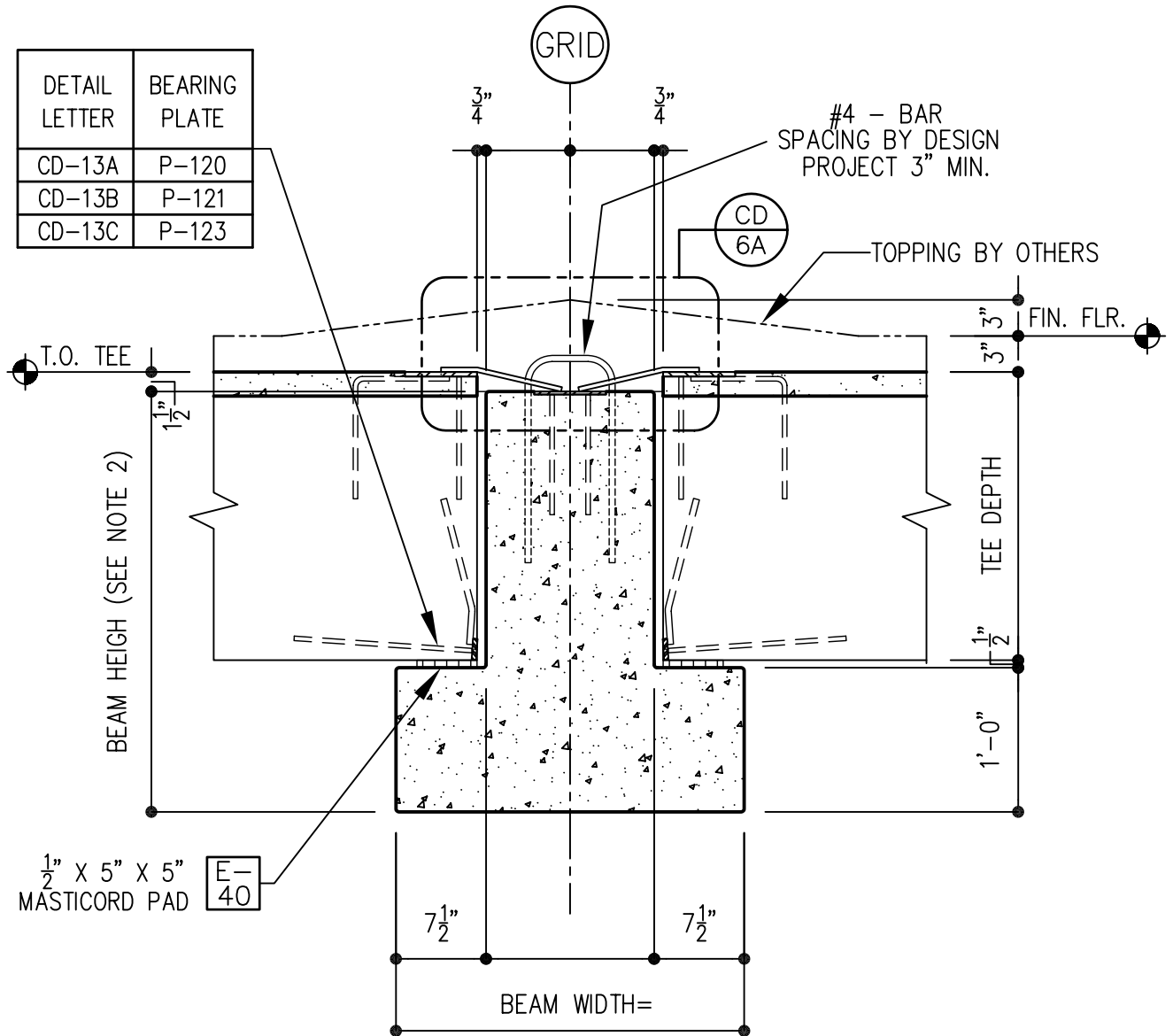


DETAIL LETTER	BEARING PLATE
CD-13A	P-120
CD-13B	P-121
CD-13C	P-123



AVAILABLE BEAM WIDTHS
26"
29"
39"
40"
42"
48"
50"
53"

TEE DEPTH	BEAM HEIGHT
12"	23"
18"	29"
24"	35"
28"	39"
32"	43"
40"	51"

NOTES:
 1. ADD 1/2" TO DT OVERALL LENGTH FOR SPANS GREATER THAN 55'-0" TO COMPENSATE FOR ELASTIC SHORTENING.
 2. 4'-8" IS THE MAXIMUM BEAM HEIGHT

ISSUED 8-05
 REVISED

TYPICAL TEE BEARING @ IT-BEAM WITH 12" LEDGES

PD-7