

DIMENSIONS FOR DETAILING

SECTION PROPERTIES

| Stem Ht. | 8" | 12" | 16" | 18" | 22" | 24" |
|---------------------|-----------------------|-------|-------|-------|-------|-------|
| Area | in ² 520 | 576 | 632 | 660 | 716 | 744 |
| I | in ⁴ 21844 | 33869 | 50260 | 60251 | 84136 | 98149 |
| Y _B | in 10.63 | 12.12 | 13.70 | 14.52 | 16.20 | 17.06 |
| Y _T | in 13.37 | 15.88 | 18.30 | 19.48 | 21.80 | 22.94 |
| S _B | in ³ 2056 | 2794 | 3667 | 4149 | 5193 | 5753 |
| S _T | in ³ 1633 | 2133 | 2747 | 3094 | 3860 | 4279 |
| Vol./Surf. | 5.21 | 5.33 | 5.45 | 5.50 | 5.59 | 5.64 |
| Weight plf Stone | 542 | 600 | 658 | 688 | 746 | 775 |

SPECIAL NOTES

- ▲ Indicates holes for 3/8" ϕ or 1/2" ϕ strands used to support rebar stirrups. pull to 5.0K each. Maximum of 2.
- Indicates holes for 1/2" ϕ or .6" ϕ strands.

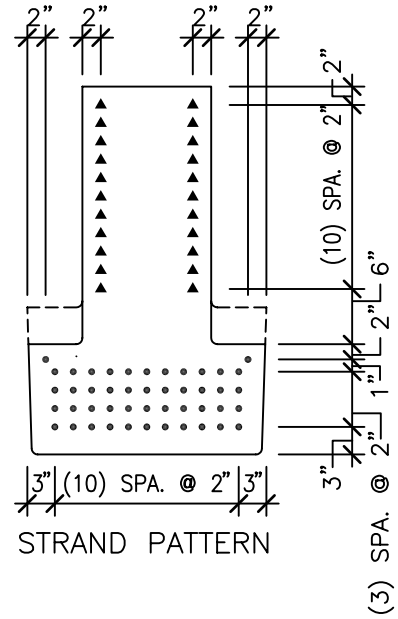
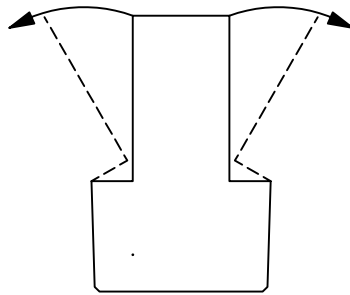
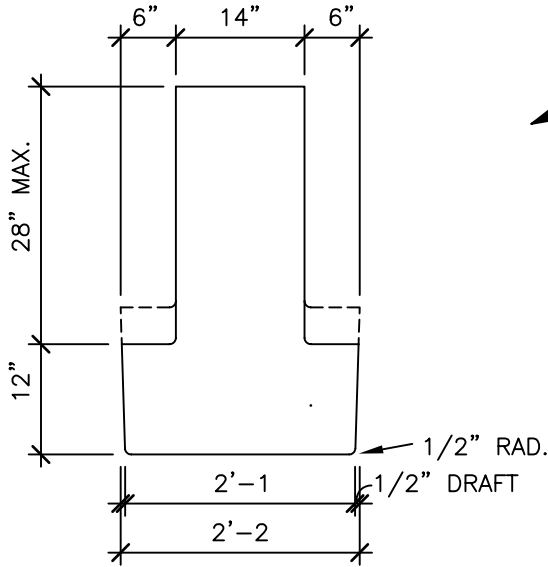
ISSUED 01-06

REVISED

26ITB-16" LEDGE

TB2

Page 1 of 2



DIMENSIONS FOR DETAILING

SECTION PROPERTIES

| Stem Ht. | | 8" | 12" | 16" | 18" | 22" | 24" |
|---------------------|-----------------|-------|-------|-------|-------|-------|-------|
| Area | in ² | 420 | 476 | 532 | 560 | 616 | 644 |
| I | in ⁴ | 12449 | 21274 | 33763 | 41534 | 60429 | 71670 |
| Y _B | in | 8.69 | 10.26 | 11.92 | 12.77 | 14.52 | 15.41 |
| Y _T | in | 11.31 | 13.74 | 16.08 | 17.23 | 19.48 | 20.59 |
| S _B | in ³ | 1432 | 2074 | 2833 | 3252 | 4161 | 4650 |
| S _T | in ³ | 1101 | 1548 | 2099 | 2411 | 3102 | 3481 |
| Vol./Surf. | | 4.56 | 4.76 | 4.93 | 5.00 | 5.13 | 5.18 |
| Weight plf Stone | | 438 | 498 | 554 | 583 | 642 | 671 |

SPECIAL NOTES

- ▲ Indicates holes for 3/8" ϕ or 1/2" ϕ strands used to support rebar stirrups. pull to 5.0K each. Maximum of 2.
- Indicates holes for 1/2" ϕ or .6" ϕ strands.

ISSUED 01-06

REVISED

26IT-12" LEDGE

TB2

Page 2 of 2